

Microwavefilters® & tvc®

Microwave components for telecommunication systems

2.2÷2.3 GHz Bandpass Filter



No Spurious up to 7 GHz
Rejection > 60 dB at 2.15 & 2.35 GHz

Microwavefilters & TVC srl

Via G. Cavalcanti, 10 - 20063 Cernusco s/N (MI) - ITALY
Tel. +39-02-92162703 Fax. +39-02-92162705

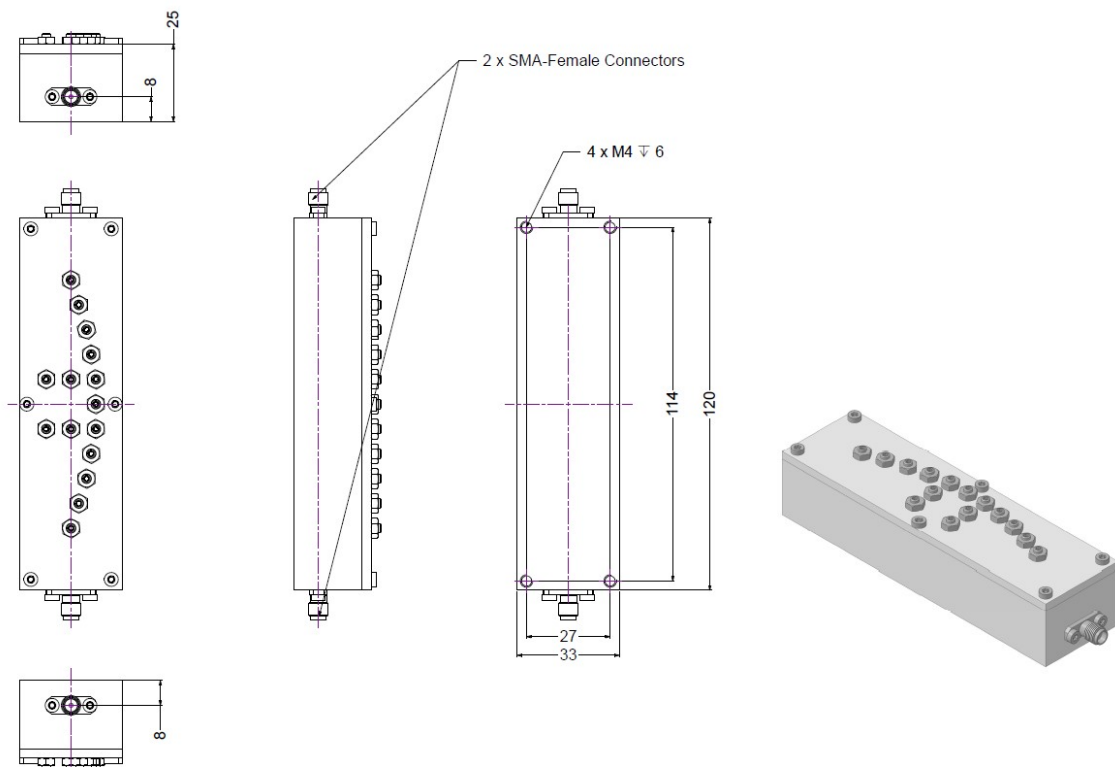
info@mw-tvc.com www.mw-tvc.com

MW&TVC presents a new 2 GHz bandpass filter (BW=2.2÷2.3 GHz) with insertion loss $IL \approx 1.0$ dB in the whole passband, rejection > 60 dB at 2.15 GHz and 2.35 GHz and no spurious up to 7 GHz. Dimensions are compact.

Main Characteristics

Part Number	MW-F02250-CCT
Passband	2.2 ÷ 2.3 GHz
Return Loss	> 14 dB (VSWR 1.5:1 max.)
Insertion Loss	≤ 1.5 dB (typ. 1.0 dB)
Rejection btw DC ÷ 2.15 GHz	≥ 60 dB
Rejection btw 2.35 ÷ 6.4 GHz	≥ 60 dB
Input/output Connectors	2 x SMA Female
Dimensions	120 x 33 x 25 mm, excluding connectors and tuning screws

Mechanical Outline



Typical Frequency Responses

