

Microwavefilters® &

Microwave components for telecommunication systems



**450 MHz UHF
Bandpass Filter
(BW 40 MHz)**

**Vibration-
& Shock-Resistant**

**Power Handling of 70W
N Female Connectors
IL ≤ 0.7 dB in Passband**

Microwavefilters & TVC srl

Via G. Cavalcanti, 10 - 20063 Cernusco s/N (MI) - ITALY
Tel. +39-02-92162703 Fax. +39-02-92162705

info@mw-tvc.com www.mw-tvc.com

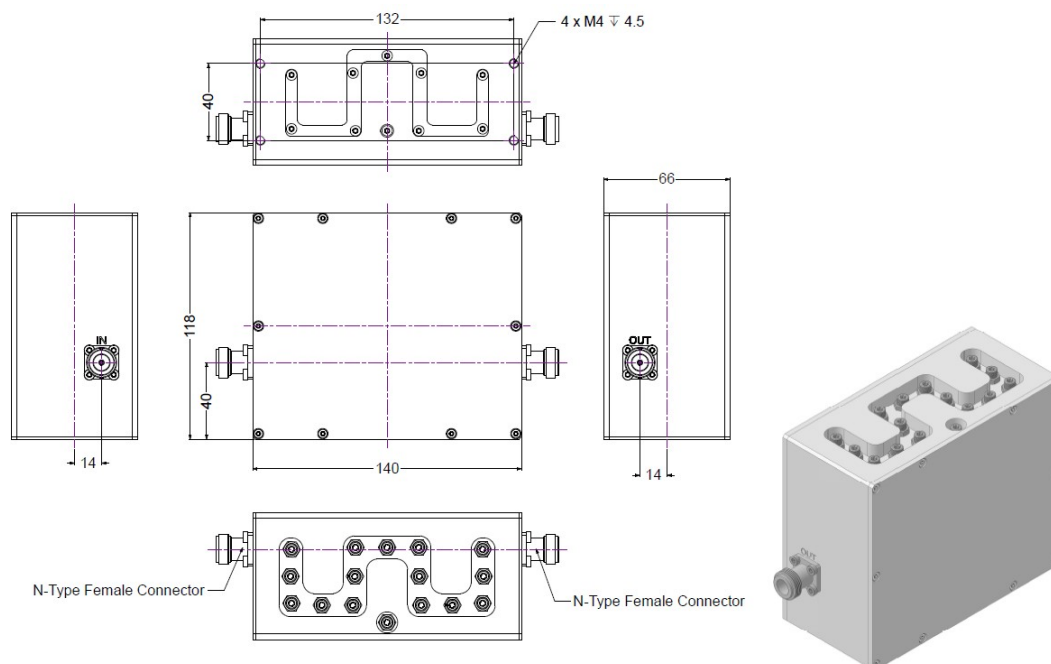
Microwave components for telecommunication systems

MW&TVC presents a new UHF bandpass filter ($f_0=450$ MHz and $BW=40$ MHz) with insertion loss $IL \leq 1.0$ dB (0.7 dB typical) in the whole passband. It is vibration- and shock- resistant for military applications.

Main Characteristics

Part Number	SR-F00450-NNT
Passband	430 ÷ 470 MHz
Return Loss	≥ 15 dB
Insertion Loss	≤ 1.0 dB (0.7 dB typical)
Rejection @ 408 MHz and 494 MHz	≥ 60 dB
Power Handling	70W max.
Temperature Range	-20 ÷ +85 °C
Input/output Connectors	2 x N Female
Dimensions	139 x 110 x 64 mm
Shock resistant	20g, 11 msec half saw tooth
Vibration resistant	Vibration test, MIL-STD-810F, Method 514.5, procedure I Propeller aircraft

Mechanical Outline



Typical Frequency Response

